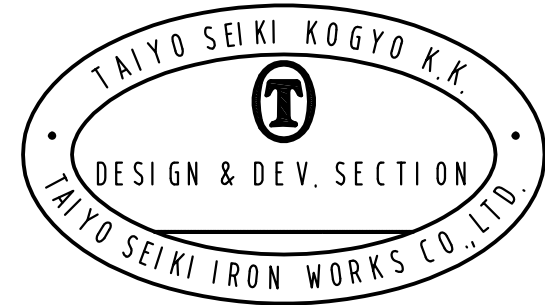
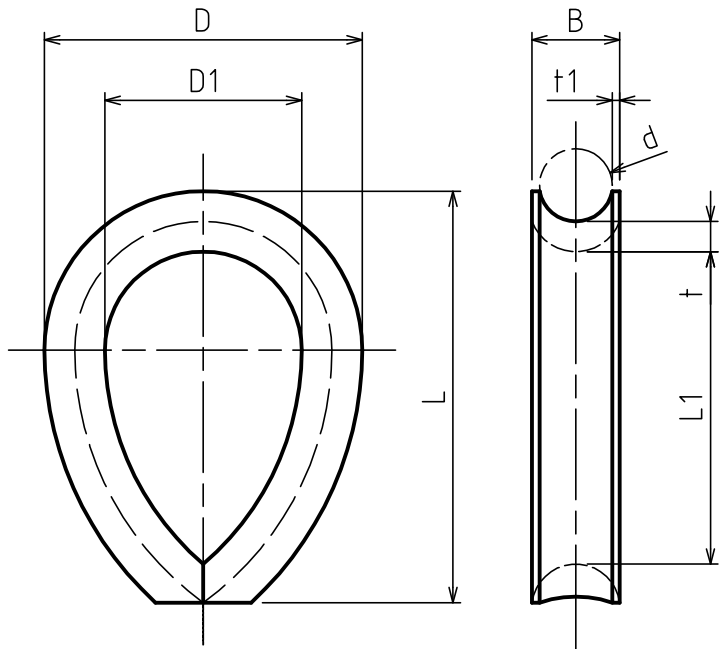


標準図



| O印有効 MARKED O IS EFFECTIVE | 呼び SIZE | ワイヤ WIRE d | B | D | D1 | L1 | L | t | t1 | 計算重量 WEIGHT (kg) |
|----------------------------------|------------|------------------|----|-----|-----|------|-----|----|----|------------------------|
| | | | | | 最小 | Min. | | | | |
| | 44 | 44 | 52 | 190 | 115 | 180 | 242 | 18 | 4 | 4.59 |
| | 46 | 46 | 54 | 195 | 120 | 190 | 252 | 18 | 4 | 5.28 |
| | 48 | 48 | 56 | 205 | 125 | 195 | 260 | 19 | 4 | 5.72 |
| | 50 | 50 | 58 | 215 | 130 | 205 | 274 | 20 | 4 | 6.18 |
| | ※52 | 52 | 62 | 220 | 135 | 215 | 284 | 22 | 5 | 7.0 |
| | 55 | 55 | 65 | 235 | 142 | 230 | 310 | 22 | 5 | 9.5 |
| | ※58 | 58 | 68 | 245 | 150 | 235 | 318 | 23 | 5 | 10.2 |
| | 60 | 60 | 70 | 255 | 155 | 250 | 335 | 26 | 5 | 13.5 |
| | ※62 | 62 | 72 | 265 | 160 | 260 | 348 | 27 | 5 | 14.5 |
| | 65 | 65 | 75 | 276 | 168 | 265 | 358 | 27 | 5 | 15.5 |

表面処理
FINISH

溶融亜鉛メッキ
HOT DIP GALVANIZED

| 1 | シンプル THIMBLE | | 1 | | |
|--|---------------------|---|--------------------|-----------------------------------|---------------|
| 符品 ITEM | 部品名 NAME OF PART | 材料 MATERIAL | 個数 NO. REQ'D | 計算重量 WEIGHT CALCULATED (kg) | 摘要 REMARKS |
| | 名称 NAME | ワイヤロープ用シンプル WIRE ROPE THIMBLES A44-A65 | | | |
| 作成 DRN DATE | 尺度 SCALE | 部長 DIRECTOR | 課長 MANAGER | 検図 CHKD BY | 製図 DRN BY |
| 2001.Nov.29 | Free | S.FUJII | | N.FUJII | Y.SAKAMOTO |
| 大洋製器工業株式会社 TAIYO SEIKI IRON WORKS CO., LTD. | | | | 図番 DWG. NO. | N09-3000-3 |
| | | | | | THA44-65 |

求歴 CAREER